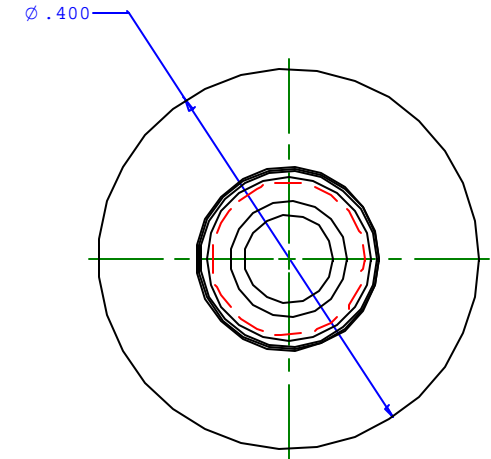
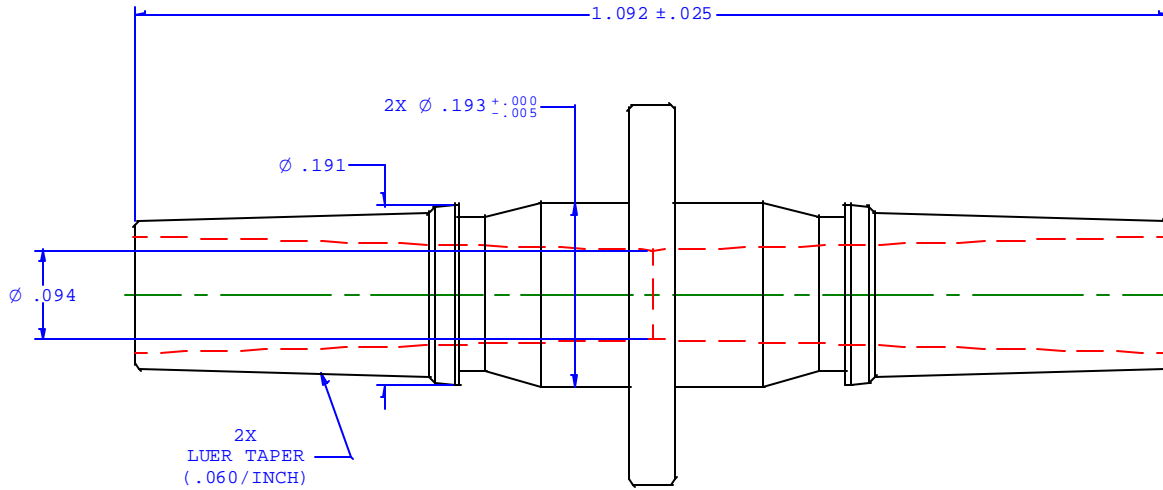


REVISIONS			
REV	DESCRIPTION	DATE	APPROVED
	ECO# 0030	2/27/01	LEK



UNLESS OTHERWISE SPECIFIED DIMENSIONS ARE IN INCHES TOLERANCES ARE:		VALUE PLASTICS, INC.	
FRACTIONS ±	DECIMALS .XX ± .01 .XXX ± .005	ANGULAR ±1°	PART NUMBER: MLRLC
DO NOT SCALE DRAWING		DESCRIPTION: Male Luer Coupler (May be used with separate lock rings; FSLLR)	
DRAWN BY: SUE CORAM	SCALE: NTS	DRAWING NUMBER:	REV.
DATE: 10/02/00	© 1997 VALUE PLASTICS, INC.		SHEET:

FOR REFERENCE ONLY