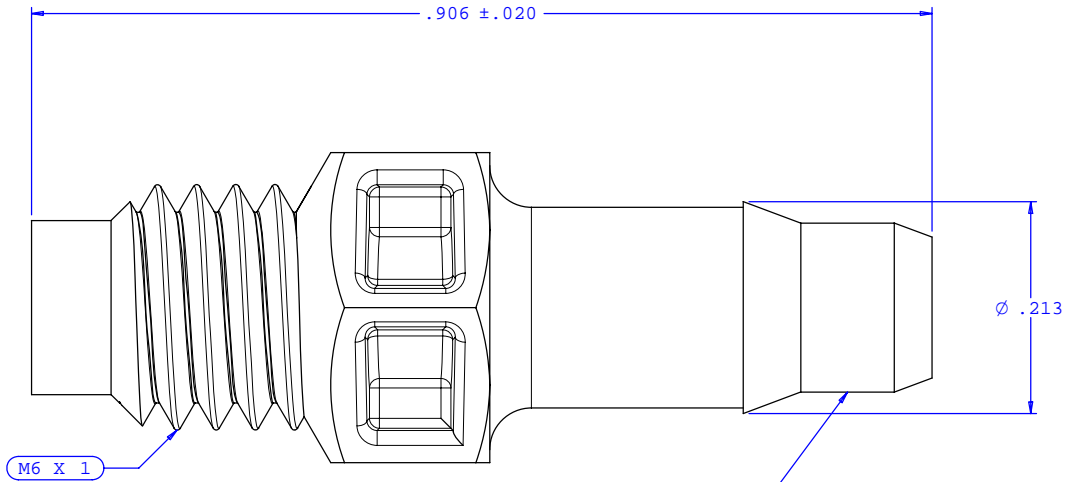
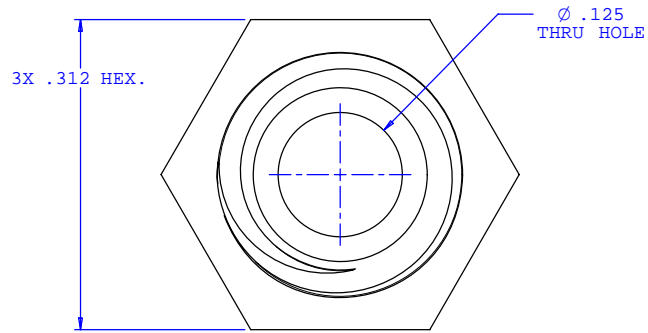
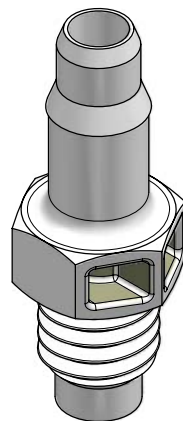


NOTE: FOR MORE DETAILS SEE YOUR V.P.CUSTOMER SERVICE REP.

REVISIONS			
REV.	DESCRIPTION	DATE	APPROVED
A	INITIAL RELEASE	06-09-98	
B	CO 034 HEX CORING	04-12-06	Rick C.



INSTRUMENT QUALITY PART. NO PARTING LINE PERMITTED ON THIS CONICAL SURFACE



UNLESS OTHERWISE SPECIFIED DIMENSIONS ARE IN INCHES TOLERANCES ARE:		VALUE PLASTICS, INC.	
FRACTIONS ±	DECIMALS .XX ±.01 .XXX ±.005 .XXXX ±.001	ANGULAR ±1°	PART NUMBER: M6445
DO NOT SCALE DRAWING		DESCRIPTION: M6x1 Thread with 5/16" Hex to 400 Series Barb, .170" (4.25 mm) ID Tubing	
DRAWN BY: Frank Lombardi	DATE: 01-21-06	SIZE: B SCALE: NTS	DRAWING NUMBER: 1008140 REV. B
Engineer/Manager: Rick Cairns		© 2006 VALUE PLASTICS, INC. SHEET: 1 OF 1	

FOR REFERENCE ONLY