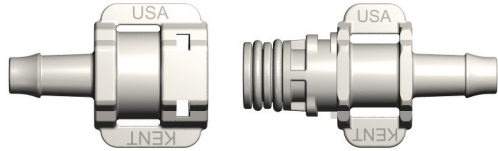


OVERVIEW

In order to get the best results from your applications, it is good to understand what options you have within Collection 4. Please note that Collection 4 is not intended to interface with other Collections.

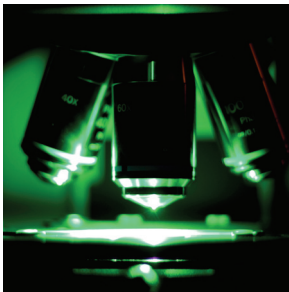
COLLECTION 4 BASICS



Collection 4 is similar to Collection 1 with a few exceptions, it is a more ergonomic design that is ideal for numerous applications. Collection 4 features include:

- Double O-Ring
- Compact Design
- Hard Stop

APPLICATIONS



Ideal applications for Collection 4 include:

- Fuel management systems
- Ink dispensing
- Lab chemicals
- Hydroponics
- Air lines
- Water lines
- Computer cooling
- Many Other Applications

TUBE BARBS

TUBE BARBS	SIZES
	1/16"
	3/32"
	1/18"
	5/32"
	3/16"
	1/4"
	5/16"

THREAD

THREAD	SIZES
	1/8" Male NPT
	1/4" Male NPT

VALVE TYPE

	Open-Flow
	Triggering Open-Flow
	Internal Shut-Off

BODY OPTIONS IMAGE

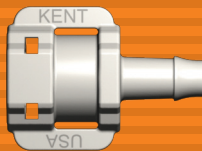
Female <ul style="list-style-type: none"> • Open-Flow • Triggering Open-Flow • Shut-Off 	
Male <ul style="list-style-type: none"> • Open-Flow • Triggering Open-Flow • Shut-Off 	

THREADED BODY OPTIONS IMAGE

Female With Male NPT <ul style="list-style-type: none"> • Open-Flow • Triggering Open-Flow • Shut-Off 	
Male With Male NPT <ul style="list-style-type: none"> • Open-Flow • Triggering Open-Flow • Shut-Off 	

OTHER CONFIGURATIONS IMAGE

Bulkhead <ul style="list-style-type: none"> • Triggering Open-Flow • Shut-Off 	
Plugs and caps	
Pouch Fitment <ul style="list-style-type: none"> • Shut-Off 	



Overview Specifications

TEST	SPECIFICATION
Pressure Rating	-10 PSI thru 125 PSI
Temperature Rating	-50°F thru 150°F
Connection Cycles Body	10,000 connections (before product should be replaced)
Connection Cycles O-ring (Lubricated Buna-N)	10,000 disconnections (before o-ring should be replaced)

Specifications for products with Nylon, Acetal, Stainless Steel, Buna-N, materials

Flow Rates Female Couplings

BARB SIZE	OPEN-FLOW FEMALE	SHUT-OFF FEMALE
1/16"	0.4 GPM	0.4 GPM
3/32"	0.5 GPM	0.6 GPM
1/8"	1.25 GPM	0.95 GPM
5/32"	1.8 GPM	1.25 GPM
3/16"	2.5 GPM	1.4 GPM
1/4"	3.75 GPM	1.5 GPM
5/16"	4.75 GPM	1.25 GPM

Tested with water, 60°F, 10PSI. Individual results may vary

Flow Rates Male Couplings

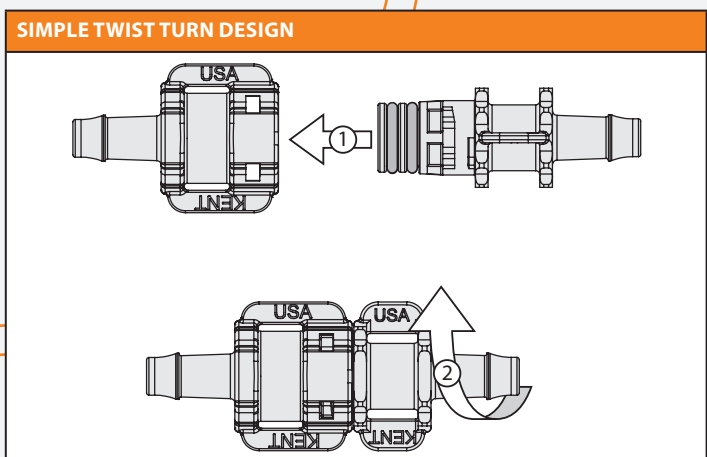
BARB SIZE	OPEN-FLOW MALE	SHUT-OFF MALE
1/16"	0.4	0.4
3/32"	0.5	0.6
1/8"	1.25	0.95
5/32"	1.8	1.25
3/16"	2.5	1.4
1/4"	3.75	1.5
5/16"	4.75	1.75

Tested with water, 60°F, 10PSI. Individual results may vary

Tubing Sizes

TUBE ID	BARB OD	BORE ID	TUBE ID RANGE
1/16" (1.5 mm)	.102"	.060"	.063" - .078"
3/32" (2.25 mm)	.129"	.076"	.078" - .109"
1/8" (3.0 mm)	.164"	.096"	.094" - .141"
5/32" (4.0 mm)	.208"	.122"	.125" - .188"
3/16" (4.75 mm)	.264"	.155"	.156" - .234"
1/4" (6.25 mm)	.335"	.197"	.188" - .297"
5/16" (8.0 mm)	.425"	.250"	.250" - .375"

*Note: Tubing can vary greatly in size and tolerance.
 Tube clamps should not be necessary if using quality tubing at reasonable pressures.*



- Single Barb Design**
 - No parting line helps prevent leak paths
 - Does not require tube clamp
- Wings**
 - Makes product easier to open and close
 - Visually tells user when product is connected
- Hard Over-Turn Stop**
 - Reduces risk of overturning and accidental disconnection
- Double O-ring**
 - O-ring redundancy
 - Easy to replace
 - Easier connection
- Single Piece Female Body**
 - Keeps product price down
 - Great for disposable applications

MORE INFORMATION



KentSystems.com/Quick_Couplings_C4_QR.php
 Discover more about KENT Systems Quick Couplings online. Simply scan this QR Code to be directed to the Quick Coupling section of our website.
 Data charges may apply. See your cell phone provider for details.