

# Quick-load Industrial Pump Head

## KZ35

PUMP HEADS



Max. Flow Rate



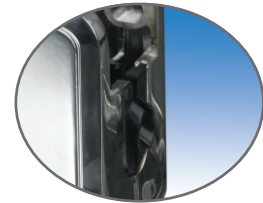
Similar flow rate to YZ35-13

304 stainless steel

Mainly for industrial applications

Two tubing retention modes

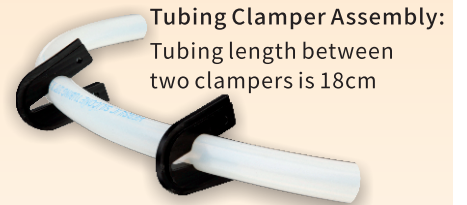
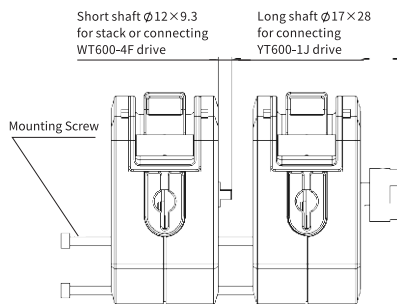
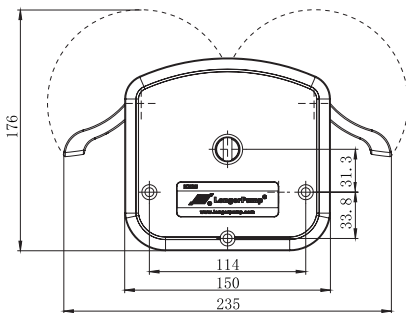
- Continuous tubing
- Tubing with fittings



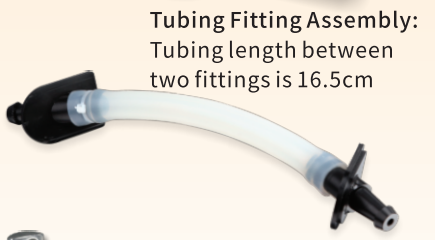
For continuous tubing



For tubing with fittings



Tubing Clamer Assembly:  
Tubing length between two clammers is 18cm



Tubing Fitting Assembly:  
Tubing length between two fittings is 16.5cm



Tubing Fitting with clamp:  
Tubing length between two fittings is 16.5cm

Model	Shaft	Product Code	Roller Number	Roller Material	Housing Material	Speed (rpm)	Tubing	Max. Flow Rate (mL/min)	Weight (kg)
KZ35-13-A	Long	05.01.26A	3	Stainless steel	Stainless steel	≤600	73" 82"	11000	3.7
KZ35-13-B	Short	05.01.26B							