

 **IMPORTANT INFORMATION:**

Please read operation manual carefully before operation.

 **WARNINGS:**

- Tubing breakage may result in fluid sprayed from pump. Use appropriate measures to protect operator and equipment. Please check the tubing frequently and change the tubing in time.
- If the power line or the plug is worn or damaged please pull out the plug (Hold the plug not the power line when pulling out).
- Please shut down the power supply and pull out the plug when meet below circumstances (Hold the plug not the power line when pulling out).  
The fluids splash on the body of the pump.  
You think the pump needs to be maintained or repaired.
- Please shut down the power supply before install the external control equipments.

## TABLE OF CONTENTS

Introduction and general description . . . . .	1
YZ1515, YZ2515 YZ1515x, YZ2515x pump head direction for use . . . . .	2
YZ1515w pump head direction for use . . . . .	3
YZ35, YZ35-13 pump head direction for use . . . . .	5
Product maintenance . . . . .	6
Warranty . . . . .	6
Pump head loading . . . . .	6

## INTRODUCTION AND GENERAL DESCRIPTION

YZ series pump heads are designed for easy-to-use peristaltic pump system. With these pump heads, tube loading becomes very easy and fast. The pump heads can be mounted in tandem for multi-channel pumping and adapt easily to OEM applications. Pump head of PSF housing is steady, autoclavable (150jæ) and organic solvent non-resistance. While pump head of POM housing is organic solvent resistance. The rotor materials is stainless steel. The specifications are shown in the below table.

TABLE 1

TYPE	Flow range ml/min	APPLICABLE TUBING mL/min	TUBING WALL THICKNESS mm	WEIGHT kg
YZ1515	0.06~2280 600rpm	13#,14#,19#,16# 25#,17#,18#	1.6	0.42
YZ1515x				
YZ1515w				
YZ2515	1.7~140 1.7~600rpm	15#,24#	2.5	0.42
YZ2515x				
YZ35	2000~12000 60~600rpm	73#,82#	3.5 ± 0.3	2.57
YZ35-13				1.65

TABLE 2

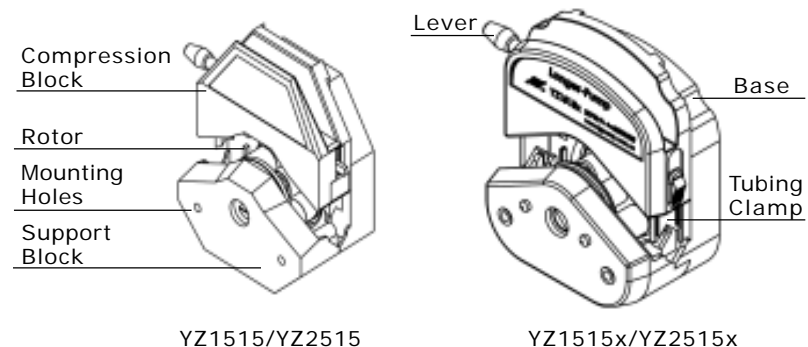
TYPE	TUBE LOCKING METHOD	CLEARANCE ADJUST	HOUSING MATERIAL	ROLLER MATERIAL	NUMBER OF ROLLERS
YZ1515	MANUALLY OPERATION	FIXED	PSF	SS	3
YZ1515x	SELF-REGULATION	FIXED			
YZ1515w	SELF-REGULATION	FINE TUNING			
YZ2515	MANUALLY OPERATION	FIXED	PSF		
YZ2515x	SELF-REGULATION	FIXED			
YZ35	SELF-REGULATION	FINE TUNING	POM		
YZ35-13			PSF		

### ⚡ ATTENTION

Pump head of PSF housing is organic solvent non-resistance! Pump head of POM housing is organic solvent resistance!

## YZ1515, YZ2515

### YZ1515x, YZ2515x pump head direction for use



### ❖ PUMP HEAD OPERATING

- Be sure the pump drive is turned off.
- Rotate the lever to the left to open the pump, load tubing.
- Load tubing of the correct size, Center the tubing between the retainers.
- Rotate the lever to the right to close the pump.

### ⚡ ATTENTION

- YZ1515 and YZ2515 pump head need to adjust tubing clamps to fit the tubes.  
YZ1515x and YZ2515x pump head don't need. (Tubing is retained automatically by the tubing clamps.)
- Pump head and tubing must be used in accordance with the table 1.

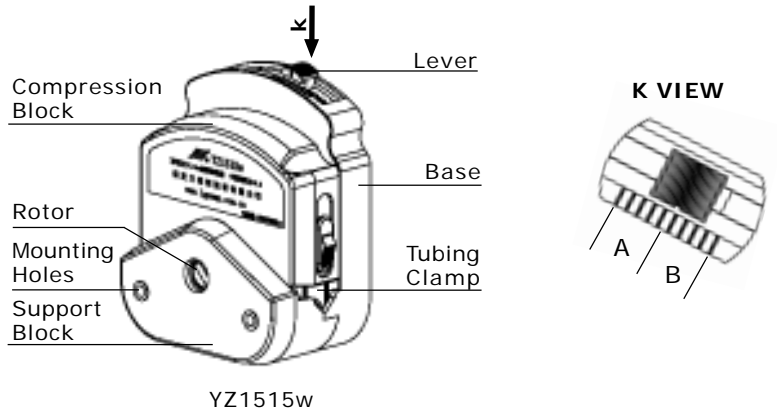
### ❖ PUMP HEAD INSTALLATION

- The pump head is connected to driver unit by two m4 screws. Insert the two screws into the mounting holes, connect the pump head with the driver unit end to end, then tighten the screws.
- To connect two or more pump heads, longer screws are needed.

### ⚡ PROMPT:

Try your best to tighten the two screws in the same degree. Do not over-tighten the screws to prevent the support block from deforming and buzz.

### YZ1515w pump head direction for use



#### ❖ PUMP HEAD OPERATING

- Press down lever and push back to left to open pump head.
- Push tubing clamps at arrowhead direction and load tubing.
- Press down lever and push back to right to close pump head.

#### 💡 ATTENTION

The tubing clamp on both sides of the compression block can fit different sizes of tubing automatically. Don't need to adjust.

#### ❖ PUMP HEAD OCCLUSION ADJUSTMENT(see K view)

PUMP HEAD	APPLICABLE TUBING	TUBING WALL THICKNESS
YZ1515W	13#,14#,16#,25#,17#,18#	1.6 ± 0.3(mm)

- For standard wall thickness tubing, the lever should be in the middle of the index scale.

- If the wall thickness of tubing is not standard, you can adjust the occlusion as follows: first load the tubing, and push the lever to the left end to make the occlusion maximum. Place the inlet of the tubing into water and blow from the outlet, there are blebs. Then push the lever to the right till there are exactly no blebs.

If there are still blebs after push the lever to the right end, it suggests that the wall thickness of the tubing is too thin and beyond the applicable range.

#### ❖ PUMP HEAD INSTALLATION

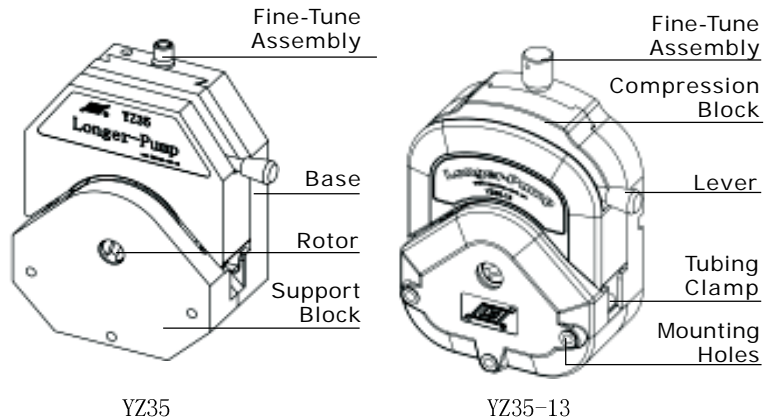
The pump head is connected to driver unit by two m4 screws. Insert the two screws into the mounting holes, connect the pump head with the driver unit end to end, then tighten the screws.

To connect two or more pump heads, longer screws are needed.

#### 💡 PROMPT:

Try your best to tighten the two screws in the same degree. Do not over-tighten the screws to prevent the support block from deforming and buzz.

### YZ35, YZ35-13 pump head direction for use



#### ❖ TUBE LOADING

- Rotate lever to left to open pump head, load tubing.
- Rotate lever to right to close pump head.
- Tubing is retained automatically by tubing clamps.

#### ❖ OCCLUSION ADJUSTMENT

PUMP HEAD	APPLICABLE TUBING	TUBING WALL THICKNESS
YZ35	73# 82#	3.5 ± 0.3(mm)

- Usually, the occlusion has been adjusted according to standard wall thickness tubing.  
If the wall thickness of tubing is not standard, you can adjust the occlusion as follows: first load the tubing, and place the inlet of the tubing into water. Then loose the locknut of the fine-tune assembly, and turn the screw with an inner hexagon spanner, till there are exactly no blebs when blowing from the outlet. At last, tighten the locknut. If there are still blebs after turning the screw to end clockwise, it suggests that the wall thickness of the tubing is too thin and beyond the applicable range.

#### ❖ PUMP HEAD INSTALLATION

- The pump head is connected to driver unit by three m5 screws. Insert the three screws into the mounting holes, connect the pump head with the driver unit end to end, then tighten the screws.
- To connect two or more pump heads, longer screws are needed.

#### 💡 PROMPT:

Try your best to tighten the three screws in the same degree. Do not over-tighten the screws to prevent the support block from deforming and buzz.

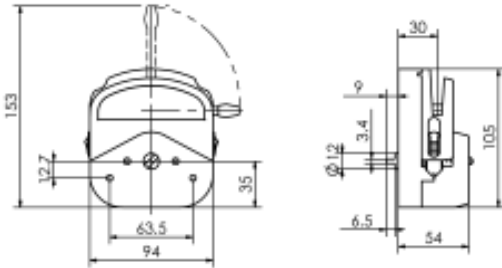
#### PRODUCT MAINTENANCE

- For optimum tubing life, keep tubing straight where it enters and exits the pump.
- Stop the drive when changing the tubing or its position in the rotor mechanism (the rotor is partially exposed when the loading lever is in the open position).  
Keep the roller clean and dry in order to extend the using life of the tube and rotor.

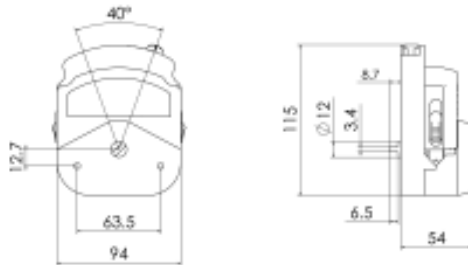
#### WARRANTY

The warranty period for this product is one year. If repair or adjustment is necessary within the warranty period, the problem will be corrected at no charge if it is not due to misuse or abuse on your part, as determined by the manufacturer. Repair costs outside the warranty period, or those resulting from product misuse or abuse, may be invoiced to you.

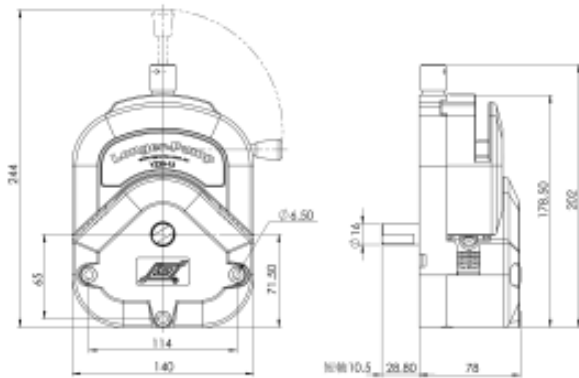
**MOUNTING SIZE**



YZ1515, YZ2515  
YZ1515x, YZ2515x pump head mounting size



YZ1515w pump head mounting size



YZ35, YZ35-13 pump head mounting size



**Baoding Longer Precision Pump Co., Ltd.**

ADD: Building A, Chuangye Center Baoding  
National High-Tech Industrial Development  
Zone, Baoding, Hebei, China 071051

TEL: 86 - 312 - 3138553/3132333

FAX: 86 - 312 - 3168553

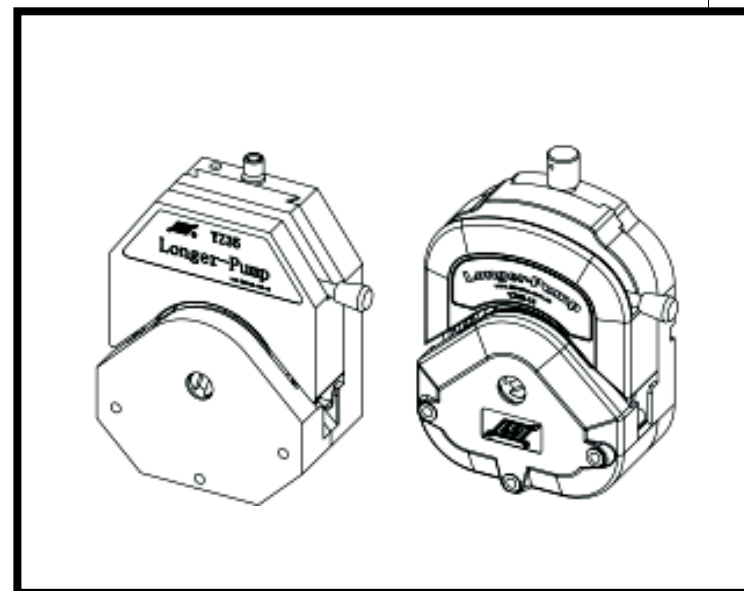
E-mail: [longer@longerpump.com](mailto:longer@longerpump.com)

[www.longerpump.com](http://www.longerpump.com)

# YZ Series Peristaltic Pump Heads



## YZ Series Pump Head User Guide



BaoDing Longer Precision Pump Co., Ltd.