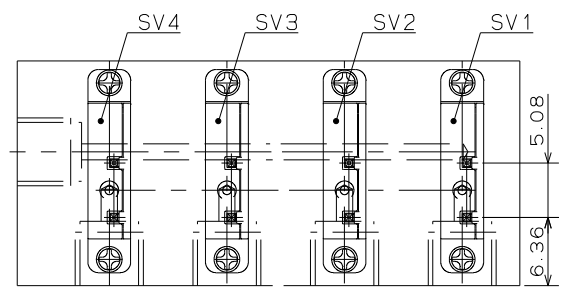


FOR REFERENCE ONLY

SHAPE MEMORY ALLOY VALVE

SPECIFICATIONS for MODEL SMV-2X-4MFX-3

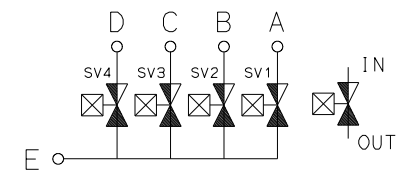
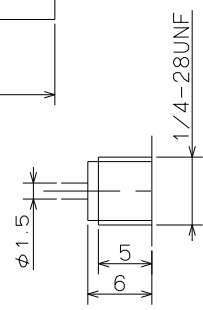
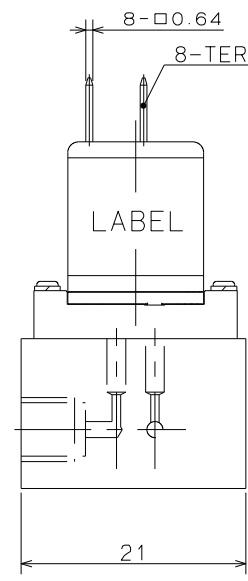
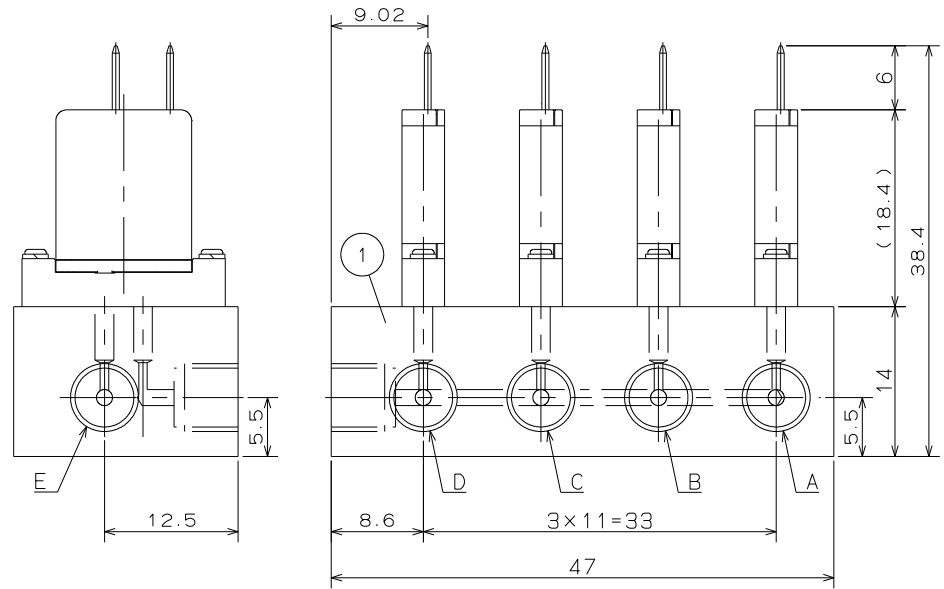


ORIFICE DIAMETER : 0.8mm
 PORT CONNECTION : A ~ E 1/4-28UNF
 OPERATING PRESSURE RANGE : A ~ D 0 ~ 100kPa (0 ~ 1bar)
 E 0 ~ 50kPa (0 ~ 0.5bar)

FLUID MEDIA : FLUIDS CHEMICALLY COMPATIBLE WITH MATERIALS BELOW
 MEDIA TEMPERATURE RANGE : 5 ~ 40°C
 AMBIENT TEMPERATURE RANGE : 5 ~ 40°C
 CURRENT : 250mA×4
 ELECTRIC RESISTANCE : 3Ω±10%(AT 20°C)
 POWER CONSUMPTION : Max.0.25W×4

NOTE :

| MODEL NUMBER | BODY, MANIFOLD | DIAPHRAGM, O RING |
|---------------|----------------|-------------------|
| SMV-2R-4MFF-3 | PPS | FKM |
| SMV-2K-4MFG-3 | PEEK | FFKM |

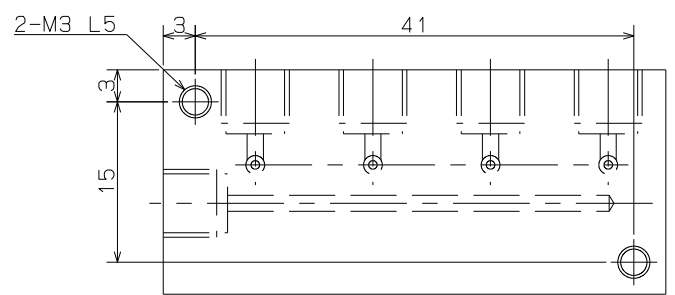


FLOW DIAGRAM

PORT DETAILS

WETTED MATERIALS

| | | | | | | | |
|----------|------|-------------|----------|-----------|----------|-------|----------------------------|
| △ | | | 4 | DIAPHRAGM | FKM/FFKM | 4 | SMV-2R-BMFF SMV-2K-BMFG |
| △ | | | 3 | BODY | PPS/PEEK | 4 | SMV-2R-BMFF SMV-2K-BMFG |
| △ | | | 2 | O RING | FKM/FFKM | 8 | SMV-2R-BMFF SMV-2K-BMFG |
| SYM. | DATE | DESCRIPTION | 1 | MANIFOLD | PPS/PEEK | 1 | |
| REVISION | | | PART NO. | PART NAME | MATERIAL | REQD. | NOTE |



| SCALE | APPROVED | CHECKED | DRAWN | SHAPE MEMORY ALLOY VALVE | | DRAWING NO | |
|-------|----------|------------|-------|--------------------------|--|------------|--|
| 2/1 | | K. Asai | Kabe | SMV-2X-4MFX-3 | | 22137-00-E | |
| A 3 | | K. Hayashi | | | | | |