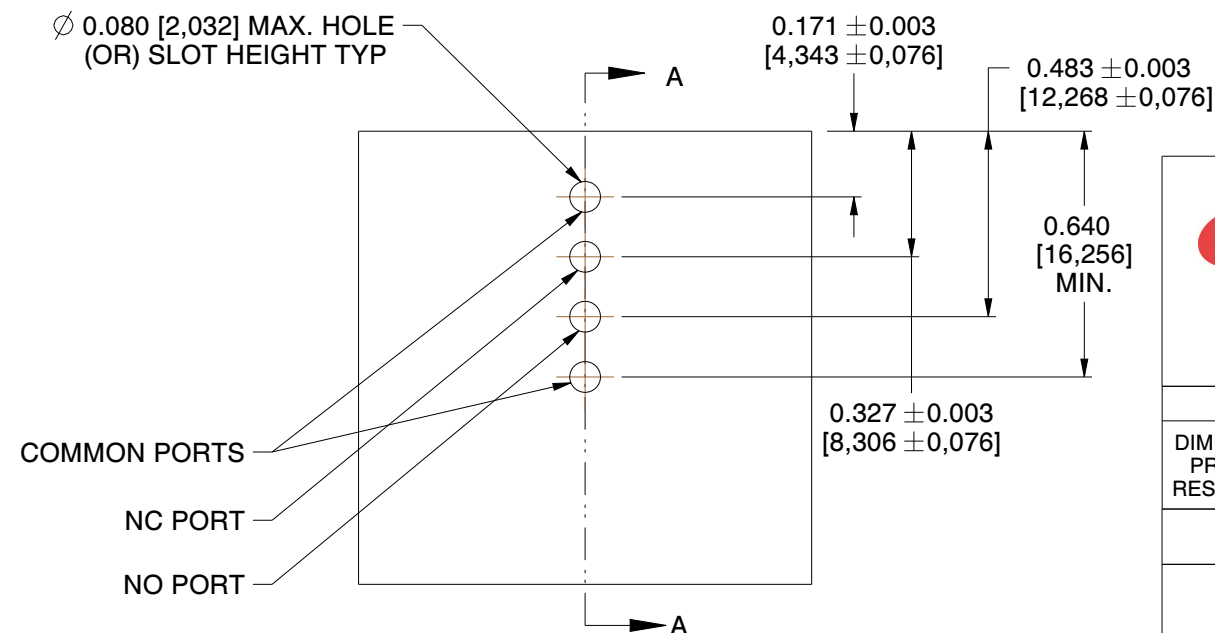
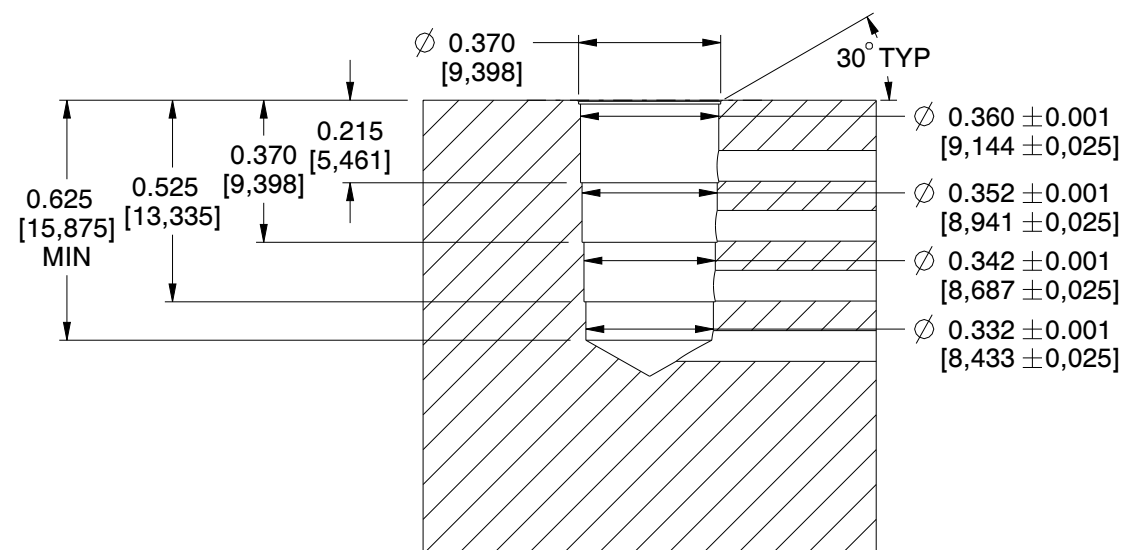
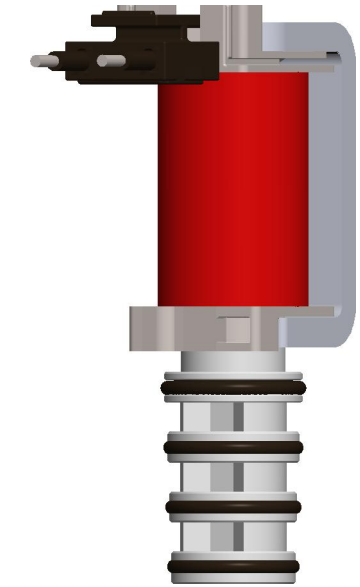
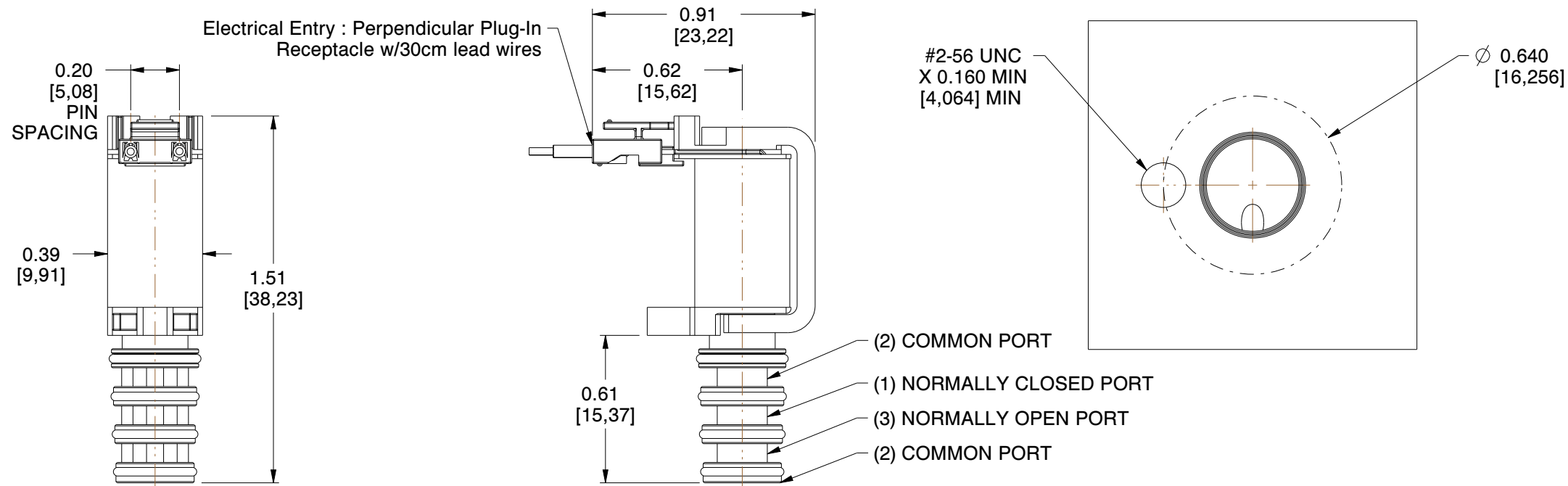


ENGINEERING SPECIFICATIONS REFERENCE

- | | |
|--|---|
| 1. Number of Ports : 3 ports | 8. Lubrication : Not Required |
| 2. Number of Positions : 2 positions | 9. Media Filtration : 40 Micron Recommended |
| 3. Valve Function : Single Solenoid, Multi-purpose | 10. Pressure Range (psi) : 28"Hg - 30 psi |
| 4. Piping Type : Cartridge, Insert Piping | 11. Operating Speed (cycles/min) : 600 |
| 5. Media : Air, Inert Gas, Vacuum | 12. Ambient Temperature Range (deg F) : 32~ 125 |
| 6. Type of Operation : Direct Acting Type | 13. Wetted Materials : Acetal, LCP, SST, NBR |
| 7. Flow Capacity (Cv) : 0.075 | 14. Weight (oz) : 0.4 |
| | 15. Electrical Entry : Perpendicular Plug-In Receptacle w/30cm lead wires |

MANIFOLD INTERFACE DIMENSIONS



Humphrey®

HUMPHREY PRODUCTS COMPANY
 5070 EAST N AVE; KALAMAZOO, MI 49048 USA
 PH: 269-381-5500; FX: 269-381-4113
 WWW.HUMPHREY-PRODUCTS.COM
 EMAIL: TECHSERVICE@HUMPHREY-PRODUCTS.COM

UNCONTROLLED IF PRINTED - FOR REFERENCE ONLY

DIMENSIONS IN INCHES (MM). FOR DETAILS, PLEASE REFER TO PRODUCT PAGE, HUMPHREY ONLINE CATALOG. HUMPHREY RESERVES RIGHT TO CHANGE DIMENSIONS, SPECIFICATIONS.

CUSTOMER REFERENCE DRAWING

C107P2

Date created : 02/20/2020 | Date printed : 03-03-2022 | SCALE: 1.75