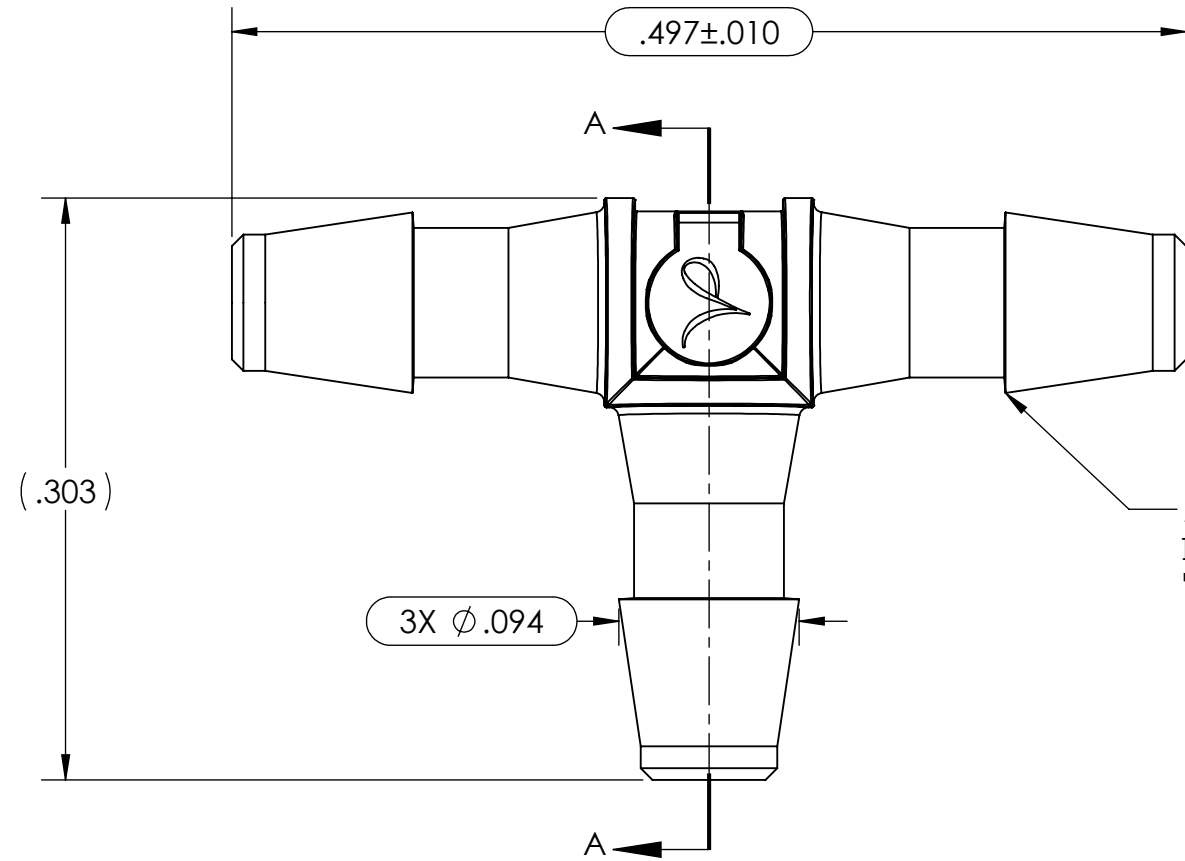
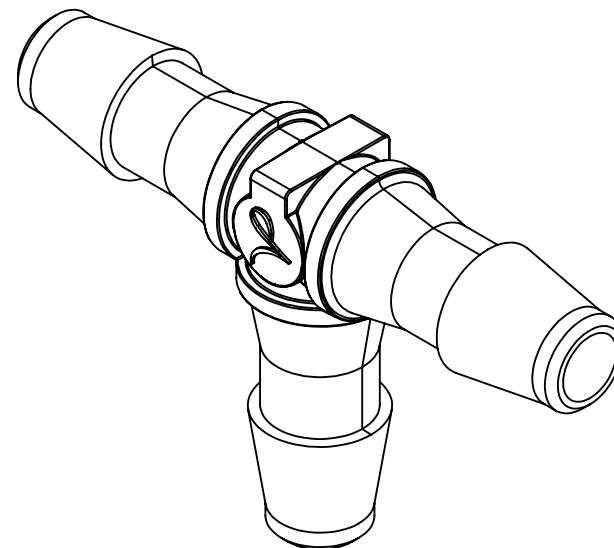
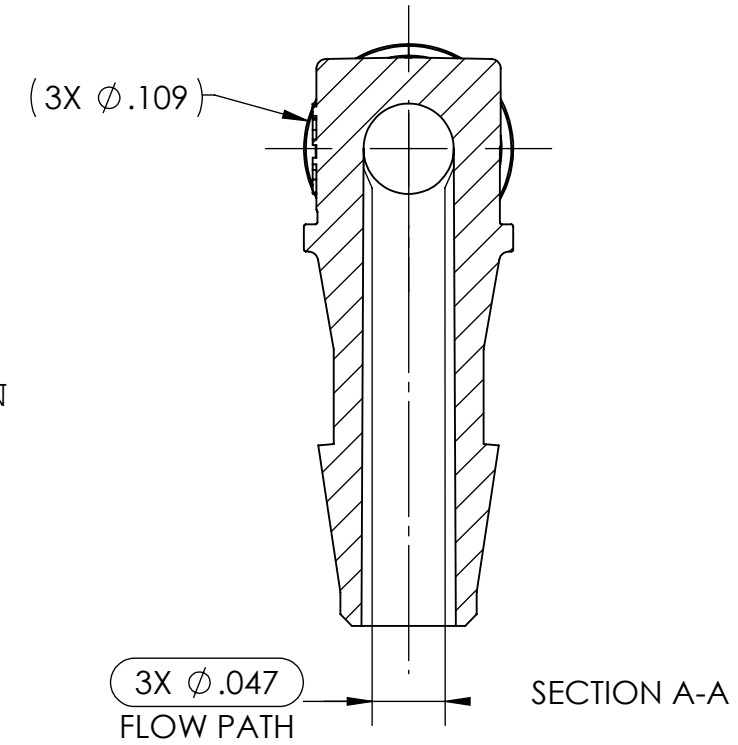


NOTES: FOR ADDITIONAL DETAILS, PLEASE CONTACT VP CUSTOMER SERVICE  
 DIMENSIONS MARKED  $\varnothing$  ARE CONTROL DIMENSIONS

REVISIONS			
REV.	DESCRIPTION	DATE	APPROVED
A	INITIAL RELEASE	10-01-02	
B	CO 024 DRAFTING UPDATE	08-30-05	Rick C.
C	ECO 378	11-06-18	FJL



3X INSTRUMENT QUALITY PART.  
 NO PARTING LINE PERMITTED ON  
 THIS CONICAL SURFACE



UNLESS OTHERWISE SPECIFIED DIMENSIONS ARE IN INCHES TOLERANCES ARE:		<b>VALUE PLASTICS, INC</b>			
FRACTIONS ±	DECIMAL . XX ±.01 . XXX ±.005 . XXXX ±.001	ANGULAR ± 1°	PART NUMBER: T210		
DO NOT SCALE DRAWING			DESCRIPTION: Tee Connector with 200 Series Barbs, 1/16" (1.5 mm) ID Tubing		
DRAWN BY: marie.morleyjahn	DATE: 11/6/2018	SIZE: <b>B</b>	SCALE: NTS	VER: 1007215	DWG. NO. 1007215
MANAGER: doug.kimmel		© 2017 VALUE PLASTICS, INC		REV C	
				SHEET: 1 OF 1	