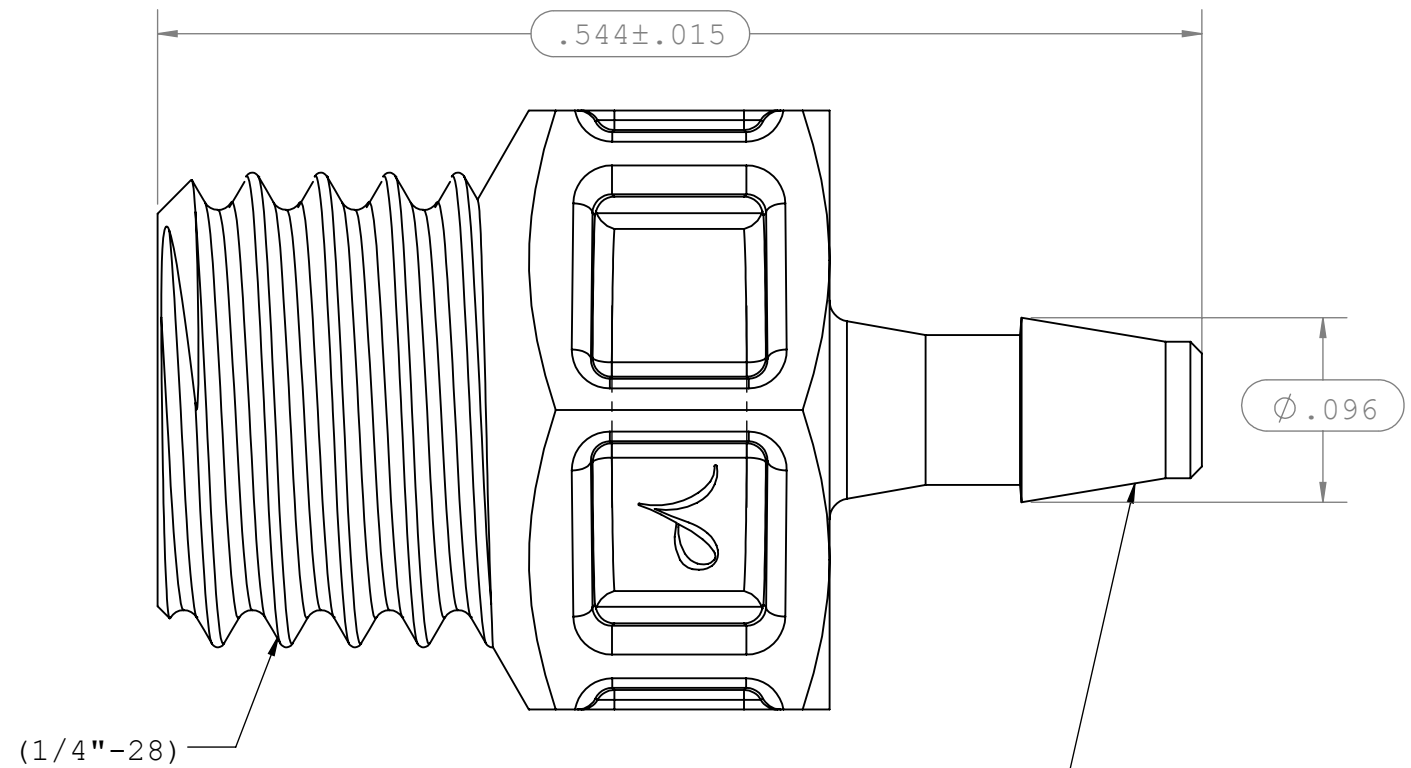
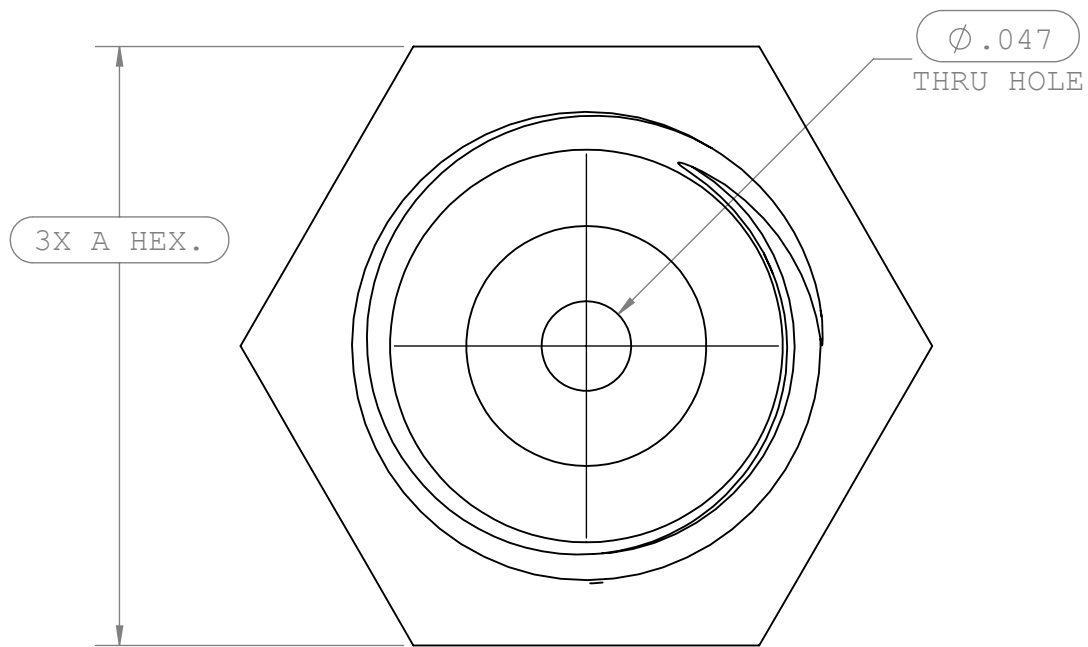


NOTES: 1.FOR ADDITIONAL DETAILS, PLEASE CONTACT VP NEW PRODUCT DEVELOPMENT

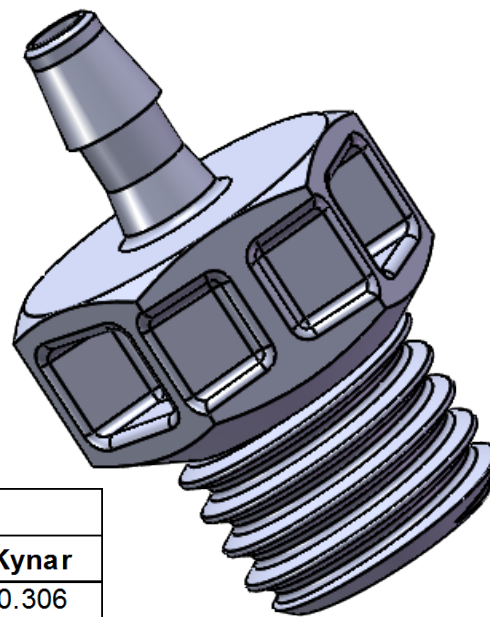
2.DIMENSIONS MARKED  ARE CONTROL DIMENSIONS

3.VERIFY THREAD USING 1/4"-28" UNF-2A PD .2258 GO THREAD GAUGE

REVISIONS			
REV.	DESCRIPTION	DATE	APPROVED
A	INITIAL RELEASE	06-10-98	
B	CO 027 DRAFTING UPDATE	10-10-05	Rick C.
C	ECO 285 ECO 358	02-08-17	FJL



INSTRUMENT QUALITY PART.  
NO PARTING LINE PERMITTED  
ON THIS CONICAL SURFACE.



Dimension	Material Specific Tolerances							
	Acetal	Nylon	PP	ABS	PC	PVC	Polysulfone	Kynar
A	0.312	0.312	0.312	0.312	0.312	0.312	0.312	0.306
B								
C								
D								
E								
F								

UNLESS OTHERWISE SPECIFIED  
DIMENSIONS ARE IN INCHES  
TOLERANCES ARE:  
FRACTIONS DECIMAL ANGULAR  
± .XX ±.01 ± 1°  
± .XXX ±.005  
± .XXXX ±.001  
DO NOT SCALE DRAWING

**VALUE PLASTICS, INC**

PART NUMBER: S210				
DESCRIPTION: 1/4-28 UNF Thread with 5/16" Hex to 200 Series Barb, 1/16" (1.5 mm) ID Tubing				
DRAWN BY: shannond	DATE: 3/1/2017	SIZE: <b>B</b>	SCALE: NTS	VER: C
MANAGER: huadong.lou			DWG. NO. 1007465	REV C
© 2011 VALUE PLASTICS, INC				SHEET: 1 OF 1

**FOR REFERENCE ONLY**