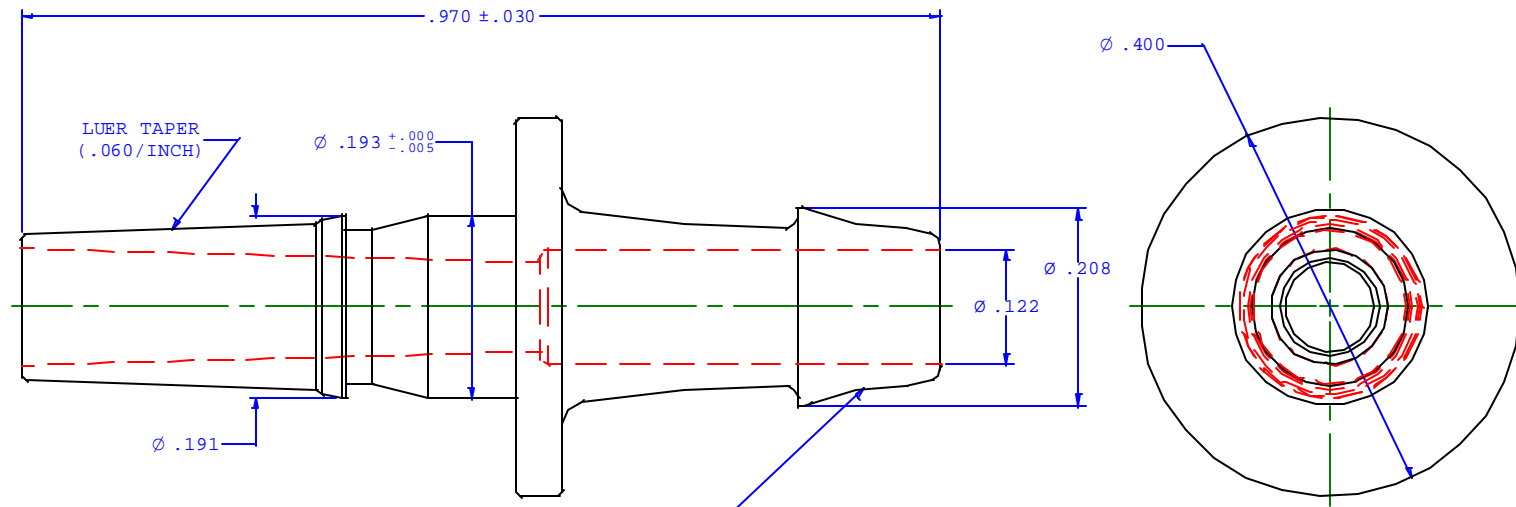


REVISIONS			
REV	DESCRIPTION	DATE	APPROVED
	ECO# 0030	2/27/01	L EK



INSTRUMENT QUALITY PART.
NO PARTING LINE ALLOWED ON
THIS CRITICAL SURFACE.

UNLESS OTHERWISE SPECIFIED DIMENSIONS ARE IN INCHES TOLERANCES ARE:		VALUE PLASTICS, INC.	
FRACTIONS ±	DECIMALS .XX ±.01 .XXX ±.005	ANGULAR ±1°	PART NUMBER: MLRL025
DO NOT SCALE DRAWING		DESCRIPTION: Male Luer Integral Lock Ring to 500 Series Barb, 5/32" (4 mm) ID Tubing	
DRAWN BY: SUE CORAM	SCALE: NTS	DRAWING NUMBER:	REV.
DATE: 10/02/00	© 1997 VALUE PLASTICS, INC.		SHEET:

FOR REFERENCE ONLY