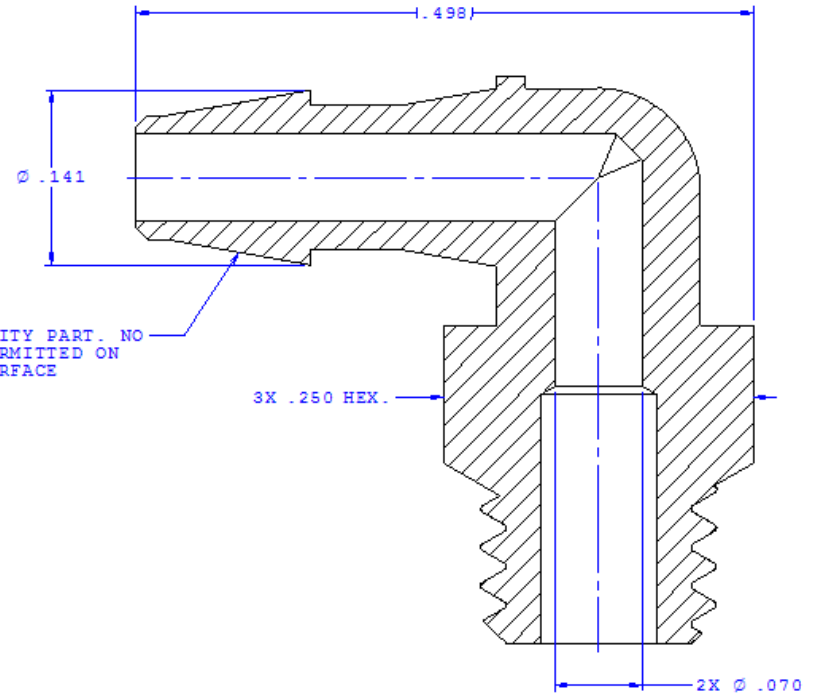
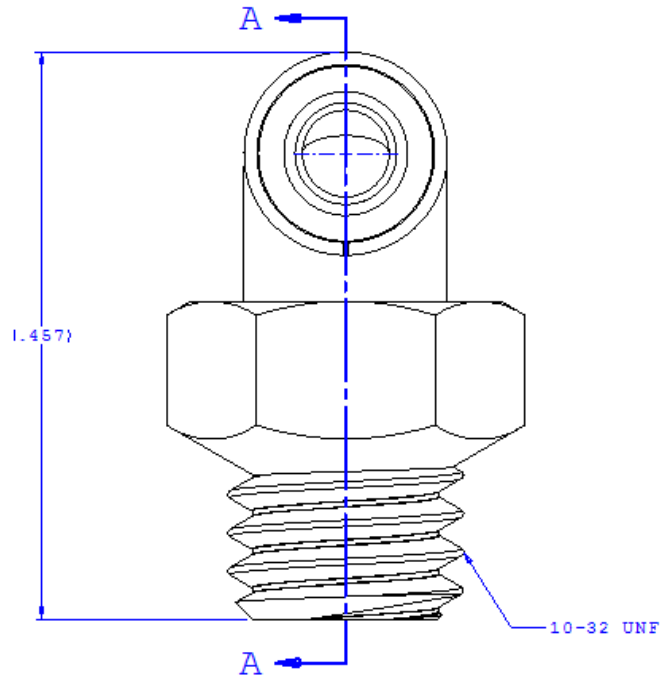


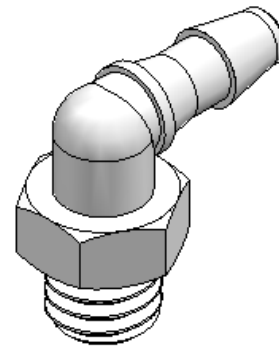
NOTE: FOR MORE DETAILS SEE YOUR V.P. CUSTOMER SERVICE REP.

REVISIONS			
REV.	DESCRIPTION	DATE	APPROVED
A	INITIAL RELEASE	06-26-98	
B	CO 031 Drafting Update	01-17-06	Rick C.



INSTRUMENT QUALITY PART. NO PARTING LINE PERMITTED ON THIS CONICAL SURFACE

SECTION A-A



<small>UNLESS OTHERWISE SPECIFIED DIMENSIONS ARE IN INCHES TOLERANCES ARE:</small>		VALUE PLASTICS, INC.	
<small>FRACTIONS 2</small>	<small>DECIMALS .XX 0.01 .XXX 0.005 .XXXX 0.001</small>	<small>ANGULAR °'</small>	PART NUMBER: KL220
<small>DO NOT SCALE DRAWING</small>		<small>DESCRIPTION: 10-32 UNF Thread Elbow with 1/4" Hex to 200 Series Barb, 3/32" (2.25 mm) ID Tubing</small>	
<small>DRAWN BY:</small> Frank Lombardi	<small>DATE:</small> 11-18-05	<small>SIZE:</small> NTS	<small>DRAWING NUMBER:</small> 1007842
<small>ENGINEER MANAGER:</small> Rick Cairns	<small>SCALE:</small>	<small>REV.:</small> B	<small>DATE:</small> 1 OF 1
<small>© 2005 VALUE PLASTICS, INC.</small>		<small>REV.:</small>	

FOR REFERENCE ONLY