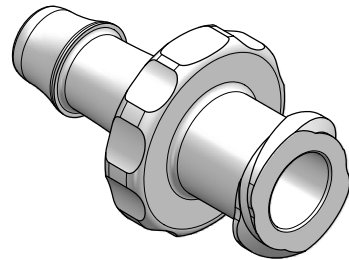
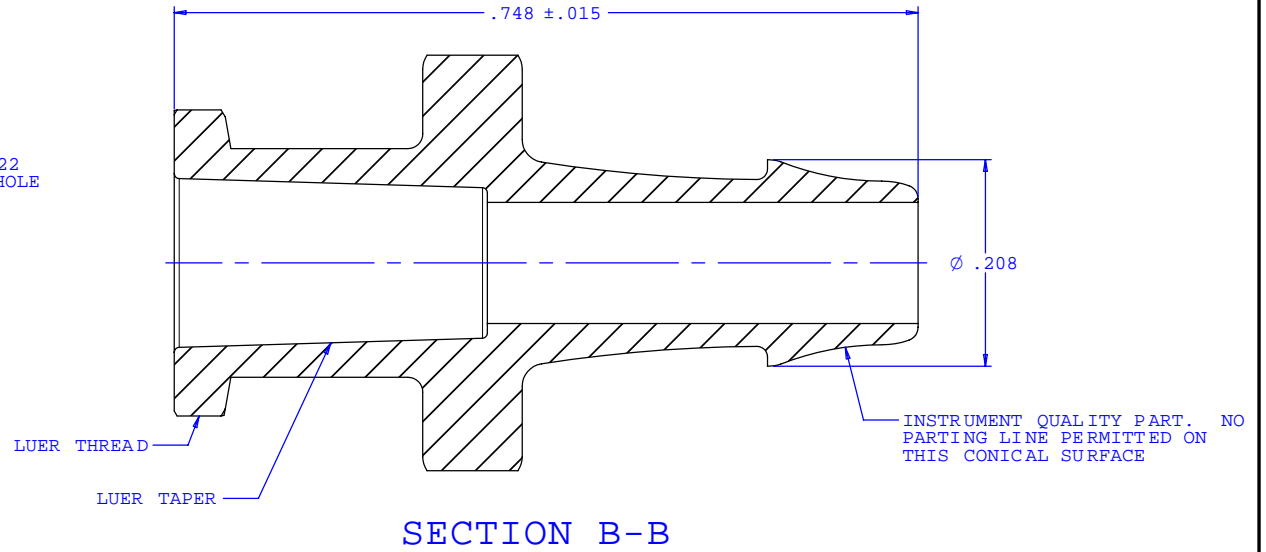
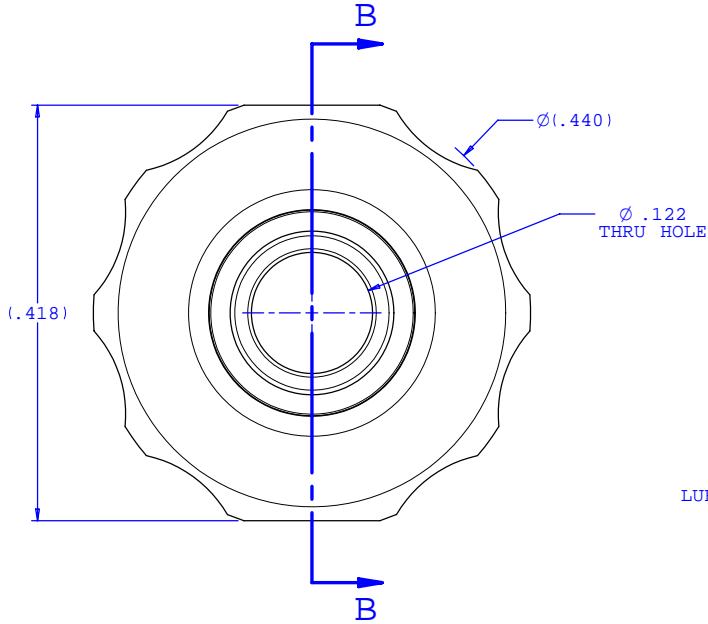


NOTE: FOR MORE DETAILS SEE YOUR V.P.CUSTOMER SERVICE REP.

REVISIONS			
REV.	DESCRIPTION	DATE	APPROVED
A	INITIAL RELEASE	09-20-02	
B	CO 016 Drafting Update	07-11-05	Rick C.



UNLESS OTHERWISE SPECIFIED DIMENSIONS ARE IN INCHES TOLERANCES ARE:		<b>VALUE PLASTICS, INC.</b>	
FRACTIONS ±	DECIMALS .XX ±.01 .XXX ±.005 .XXXX ±.001	ANGULAR ±1°	PART NUMBER: <b>FTLL025</b>
DO NOT SCALE DRAWING		DESCRIPTION: <b>Female Luer Thread Style to 500 Series Barb, 5/32" (4 mm) ID Tubing</b>	
DRAWN BY: <b>Frank Lombardi 05-09-05</b>	DATE:	SIZE: <b>B</b>	SCALE: <b>NTS</b>
Engineer/Manager: <b>Rick Cairns</b>		DRAWING NUMBER: <b>1006636</b>	REV. <b>B</b>
© 2005 VALUE PLASTICS, INC.		SHEET: 1 OF 1	

**FOR REFERENCE ONLY**