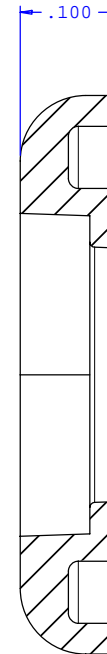
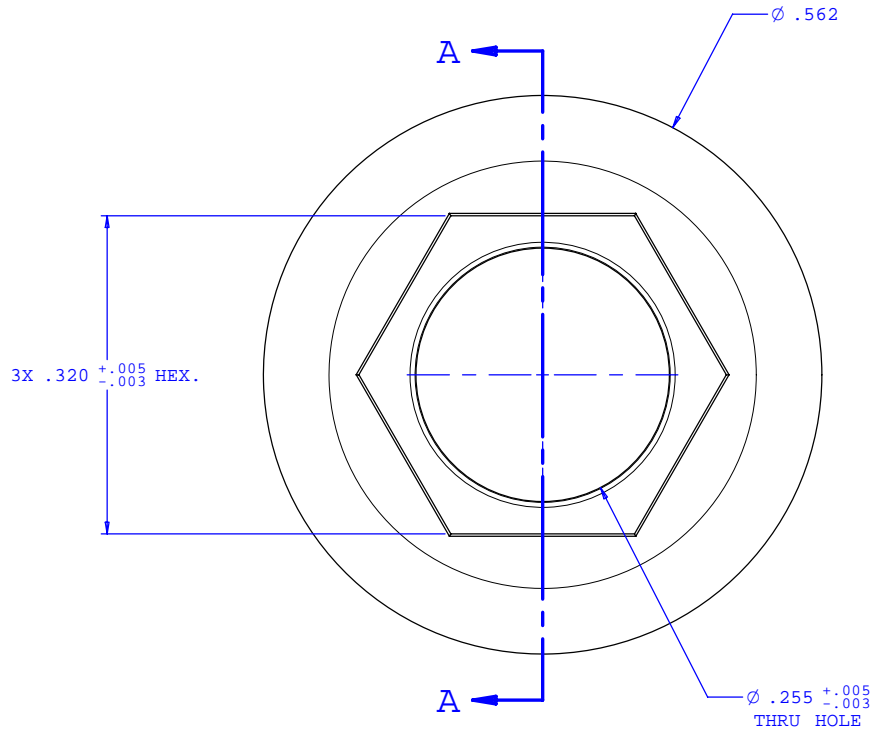
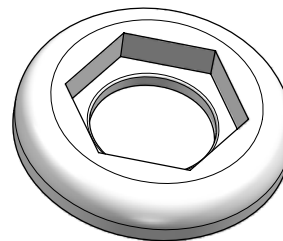


NOTE: FOR MORE DETAILS SEE YOUR V.P.CUSTOMER SERVICE REP.

REVISIONS			
REV.	DESCRIPTION	DATE	APPROVED
A	ECO 0011	07-28-97	
B	CO 027 DRAFTING UPDATE	Rick C.	06/02/07



SECTION A-A



UNLESS OTHERWISE SPECIFIED DIMENSIONS ARE IN INCHES TOLERANCES ARE:		VALUE PLASTICS, INC.	
FRACTIONS ±	DECIMALS .XX ±.01 .XXX ±.005 .XXXX ±.001	ANGULAR ±1°	PART NUMBER: CCR
DO NOT SCALE DRAWING		DESCRIPTION: Color Coded Ring (For use with FTLLB or FTLB panel mount fittings)	
DRAWN BY: Randy Sakurada	DATE: 01-22-07	SIZE: B	SCALE: NTS
Engineer/Manager: Rick Cairns		DRAWING NUMBER: 1010091	REV. B
© 2007 VALUE PLASTICS, INC.			SHEET: 1 OF 1

FOR REFERENCE ONLY