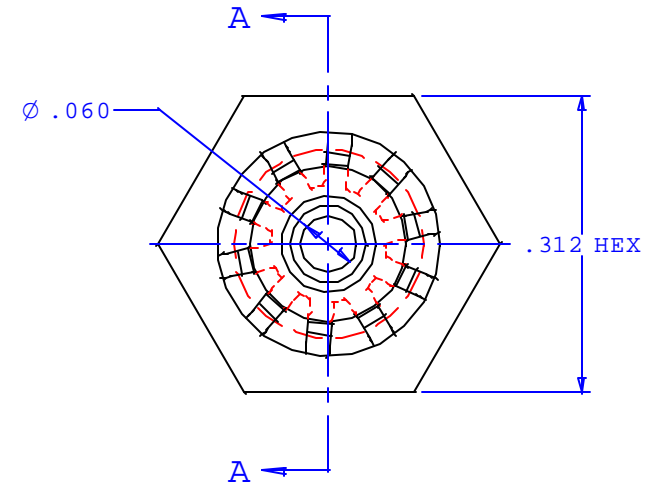
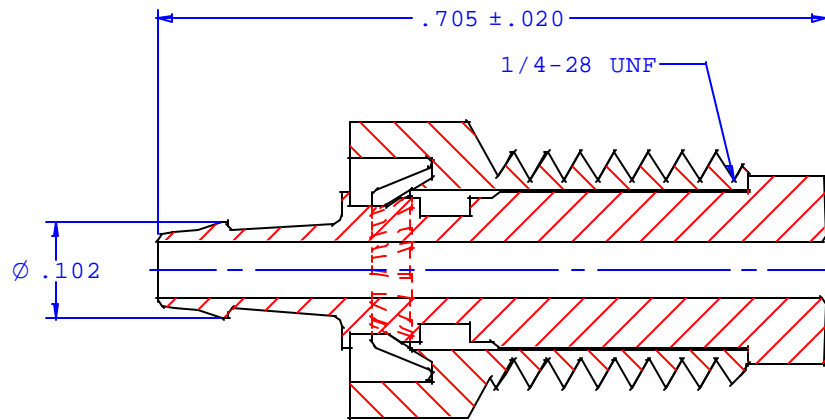
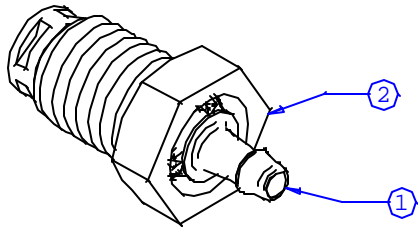


REVISIONS			
REV	DESCRIPTION	DATE	APPROVED



SECTION A-A

Item Number	Part Number	Rev.	Description	Quantity
1	BSUB004	A	ROTATING UNIFORM BORE TO #004 BARB	1
2	RS		ROTATING 1/4-28 UNF THREAD	1

UNLESS OTHERWISE SPECIFIED DIMENSIONS ARE IN INCHES TOLERANCES ARE:		VALUE PLASTICS, INC.	
FRACTIONS ±	DECIMALS .XX ±.01 .XXX ±.005	ANGULAR ±1°	PART NUMBER: ABR004
DO NOT SCALE DRAWING		DESCRIPTION: 1/4-28 UNF BOTTOM ROTATING THREAD WITH 5/16" HEX TO 500 SERIES BARB, 1/16" (1.5MM) ID TUBING	
DRAWN BY: SUE CORAM	SCALE: NTS	DRAWING NUMBER:	REV.
DATE: 03-25-99	© 1999 VALUE PLASTICS, INC.		SHEET:

FOR REFERENCE ONLY